

Fisher-Price®



Little People®
Discovery City™

Instructions

Product Number: 77702



Please keep this instruction sheet for future reference, as it contains important information.

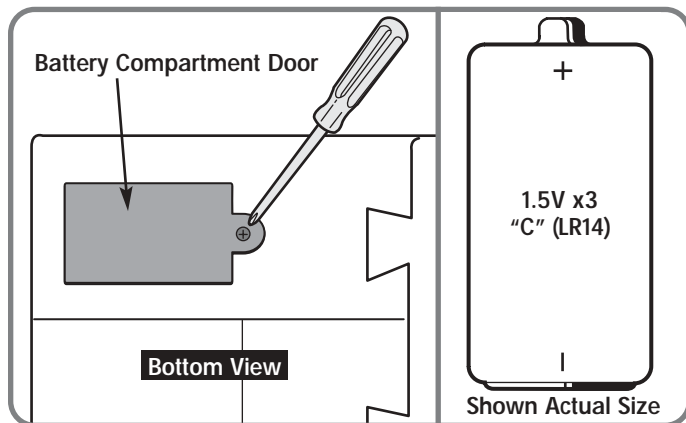
Adult assembly is required.

Requires three “C” (LR14) alkaline batteries for operation (not included).

Tool required for battery installation: Phillips screwdriver (not included).

Discover what's possible™...www.fisher-price.com

Battery Installation



- Locate the battery compartment on the bottom of the base.
- Loosen the screw in the battery compartment door with a Phillips screwdriver. Lift to open the battery compartment door.
- Insert three "C" (LR14) **alkaline** batteries as indicated inside the battery compartment.

Hint: For longer battery life, we recommend use of **alkaline** batteries.

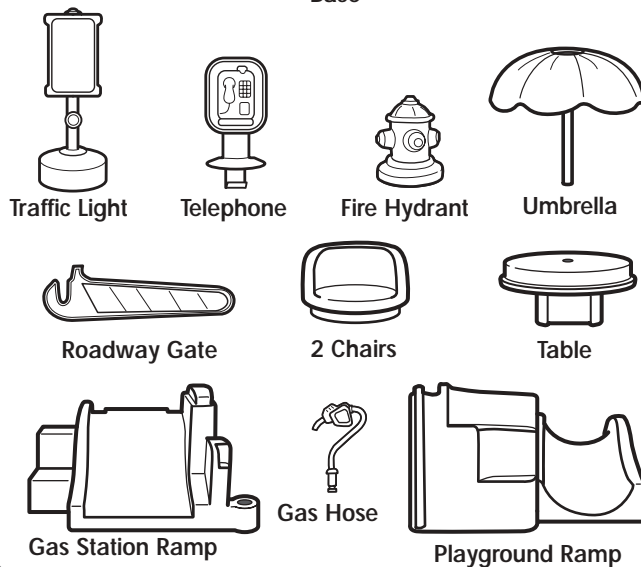
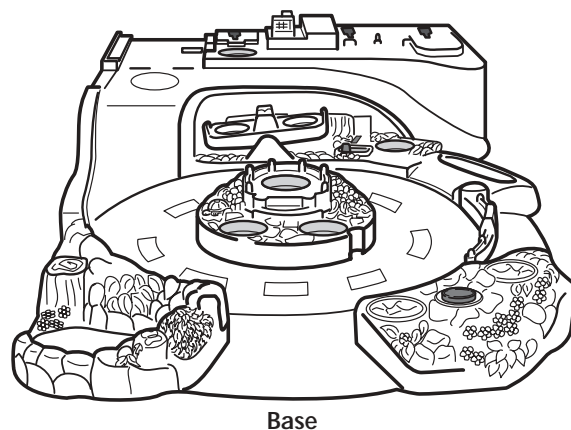
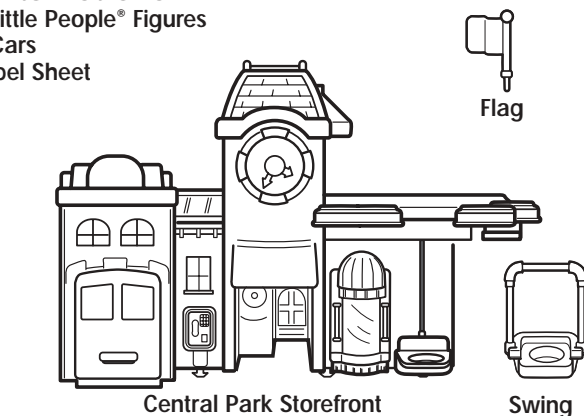
- Replace the battery compartment door and tighten the screw with a Phillips screwdriver. Do not over-tighten.

Battery Tips

- Do not mix old and new batteries.
- Do not mix different types of batteries: alkaline, standard (carbon-zinc) or rechargeable (nickel-cadmium).
- Remove the batteries during long periods of non-use. Always remove exhausted batteries from this toy. Battery leakage and corrosion can cause damage. Dispose of batteries safely.
- Do not dispose of batteries in a fire. The batteries may explode or leak.
- Never short circuit the battery terminals.
- Non-rechargeable batteries are not to be recharged.
- Only batteries of the same or equivalent type as recommended in the "Battery Installation" instructions are to be used.
- If removable rechargeable batteries are used, they are only to be charged under adult supervision.
- Rechargeable batteries are to be removed from this toy before they are charged.
- If you use a battery charger, it should be examined regularly for damage to the cord, plug, enclosure and other parts. Do not use a damaged battery charger until it has been properly repaired.
- If this toy stops working or works erratically, it's time for an adult to replace the batteries!

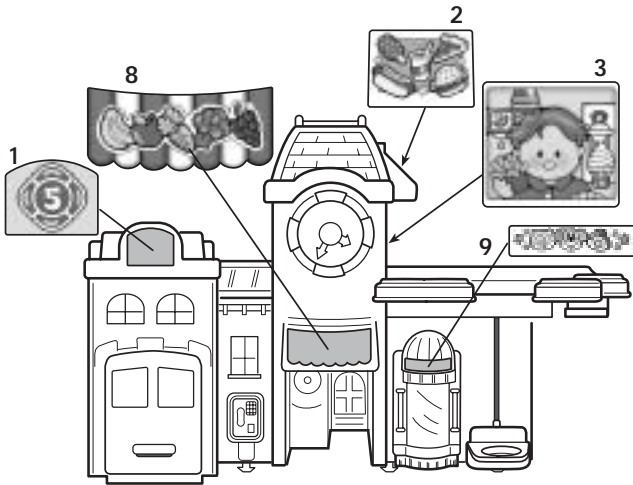
Parts

Parts Not Shown
4 Little People® Figures
2 Cars
Label Sheet

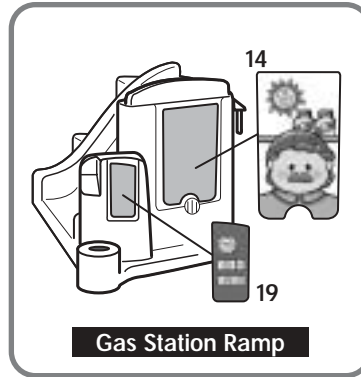


Label Decoration

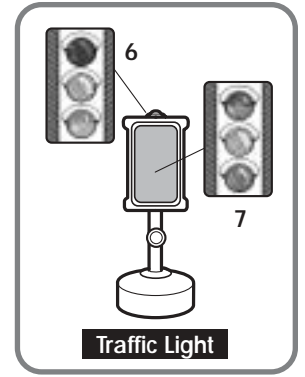
- Apply the labels as shown in the illustrations.
- Make sure the areas where labels will be applied are clean and dry.
- Apply the top corners of a label first and smooth downward to remove any air bubbles.
- For best adhesion, try to avoid applying a label more than once.



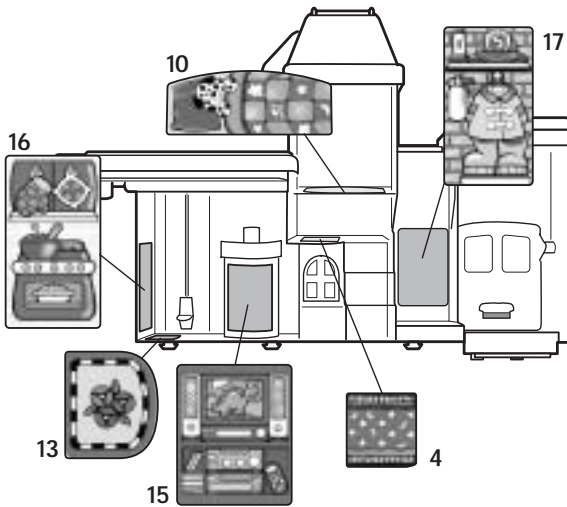
Central Park Storefront Front View



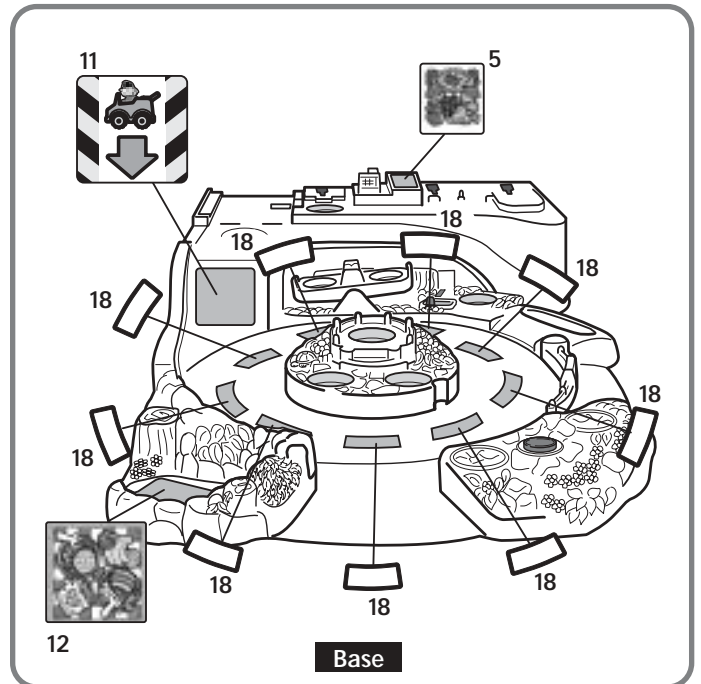
Gas Station Ramp



Traffic Light

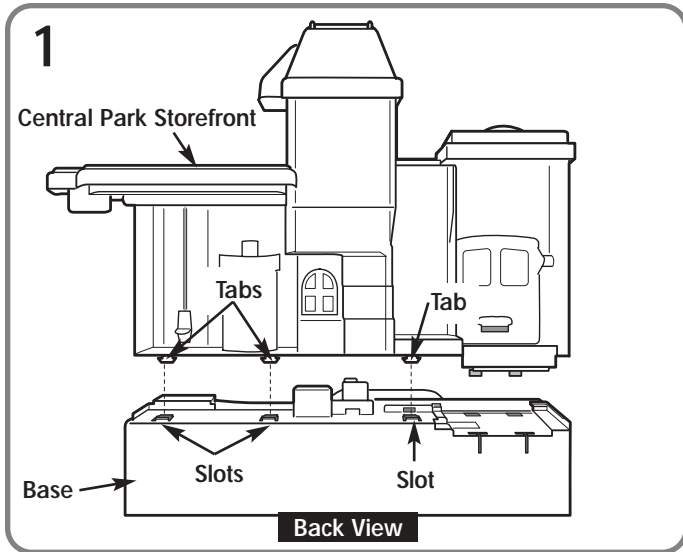


Central Park Storefront Back View

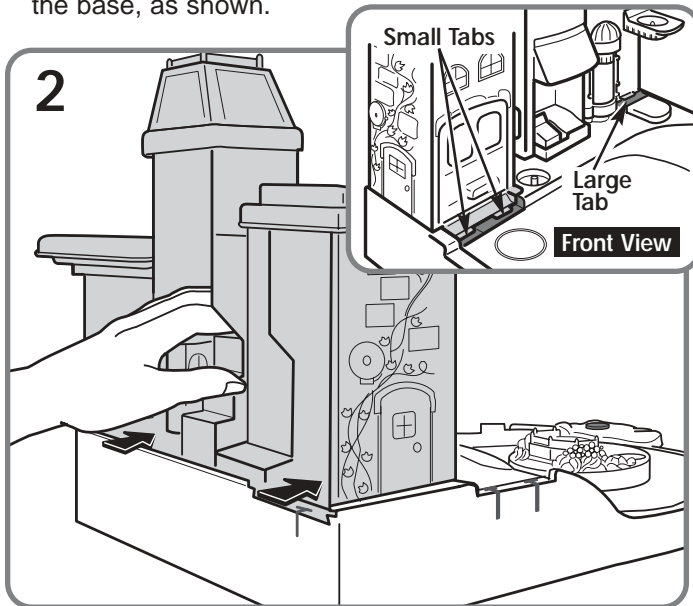


Base

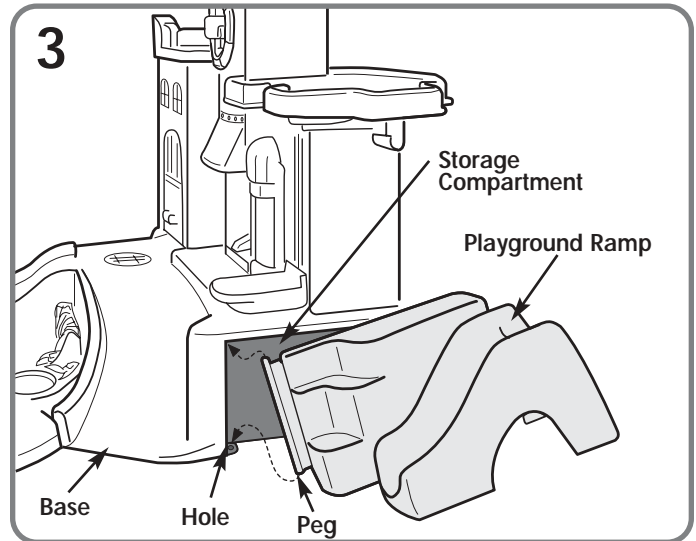
Assembly



- Place the base on a flat surface, facing away from you.
- Fit the Central Park Storefront tabs into the slots in the base, as shown.

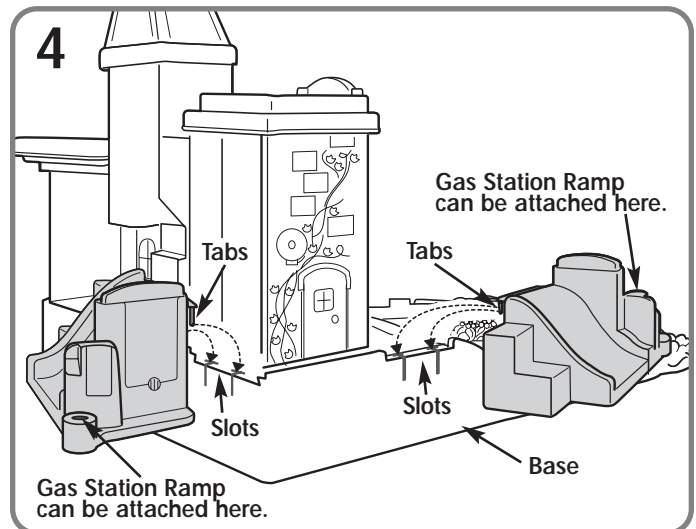


- Place your hand inside the clock tower on the Central Park Storefront, as shown.
- Slide the Central Park Storefront forward until all three tabs on the front side of the Central Park Storefront “snap” into the slots in the base (see inset illustration).
- **Make sure the large tab (below the pet shop) and the two small tabs (below the fire station) on the Central Park Storefront are inserted into the slots in the base.**



- At an angle, insert the upper Playground Ramp peg into the hole inside the storage compartment.
- Push the ramp up as you “snap” the lower Playground Ramp peg into place.

Hint: The Playground Ramp rotates open for play or close it to store accessory pieces in the storage compartment.

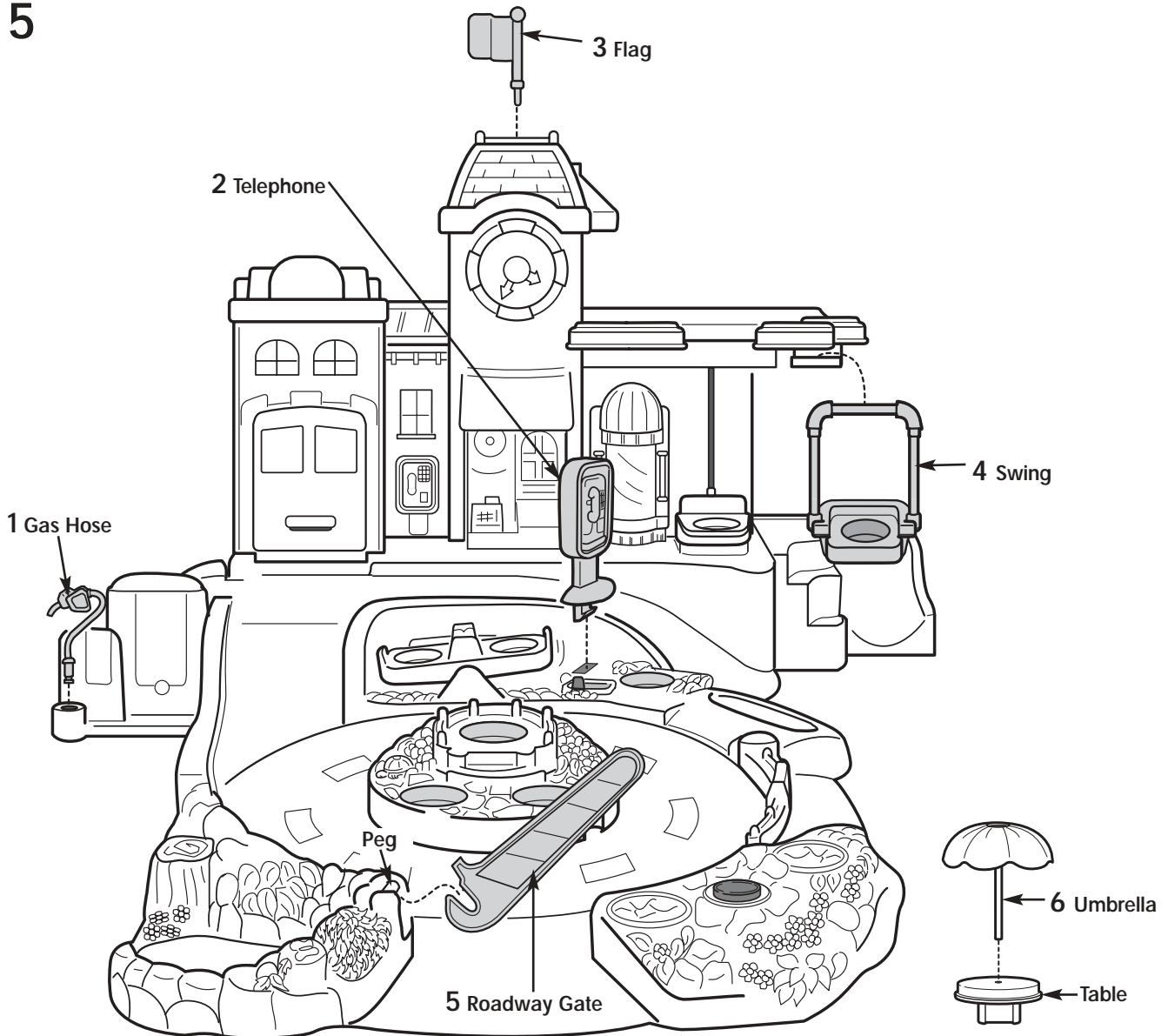


- Insert the two tabs on the Gas Station Ramp into the two slots in the base near the Fire Station.
- You can also attach the Gas Station Ramp behind the Fire Station. Insert the two tabs on the Gas Station Ramp into the two slots in the base.

Hint: The Gas Station Ramp disassembles easily. Simply lift the tabs out of the slots for removal or re-attachment.

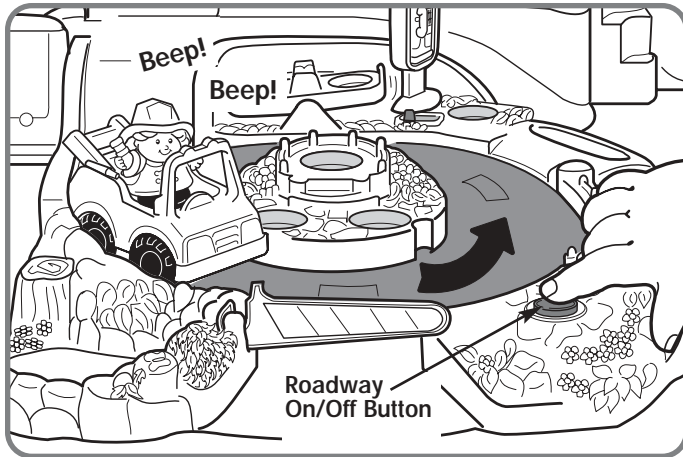
Assembly

5



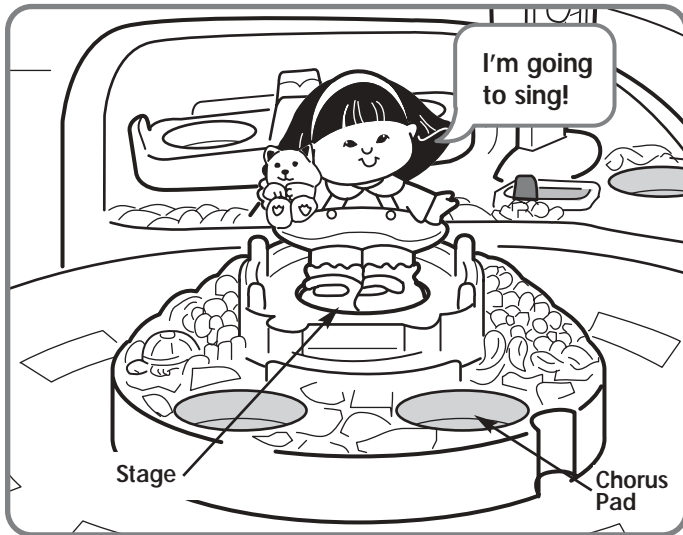
- 1 Insert the gas hose plug into the base of the gas station ramp.
 - 2 Insert and “snap” the telephone tab into the base.
 - 3 Insert the flag base into the hole in the top of the clock tower.
 - 4 Hook the swing into the groove underneath the patio and pull down to “snap” into place.
 - 5 Hook the roadway gate underneath the roadway peg and pull up to “snap” into place.
 - 6 Insert the umbrella into the table.
- Assembly is now complete.**

Let's go for a ride!



- Press the roadway on/off button to make the roadway spin and hear fun traffic sounds!
- Lift the gate to take the fun beyond the city limits!

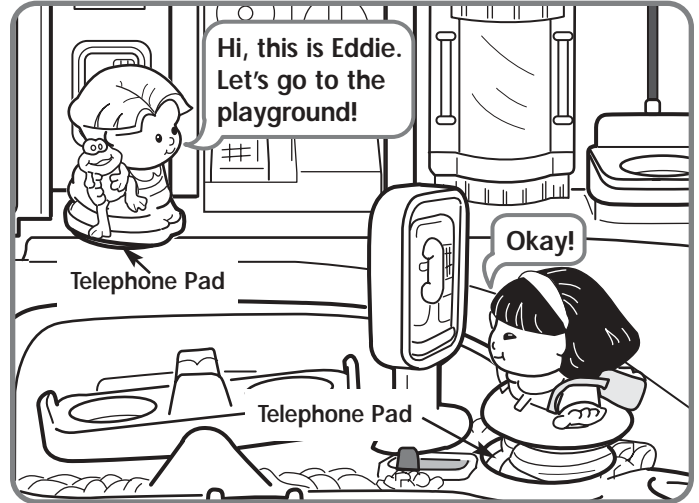
Let's play in Central Park!



- Place a Little People® figure on the Central Park stage and press down. Little People® characters speak and sing a special song!
- Place another Little People® figure on the chorus pad and press down to join in on the song!

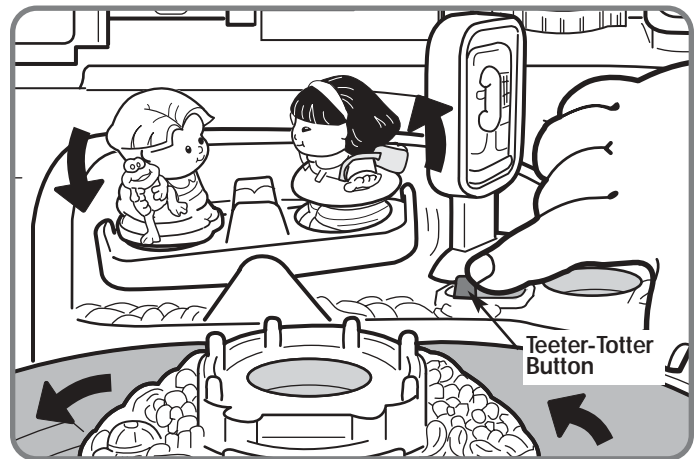
Hint: Each Little People® figure says four unique phrases. To hear a phrase, place one of the figures on the chorus pad and press down. To hear more phrases, press down again and again.

Let's call a friend!



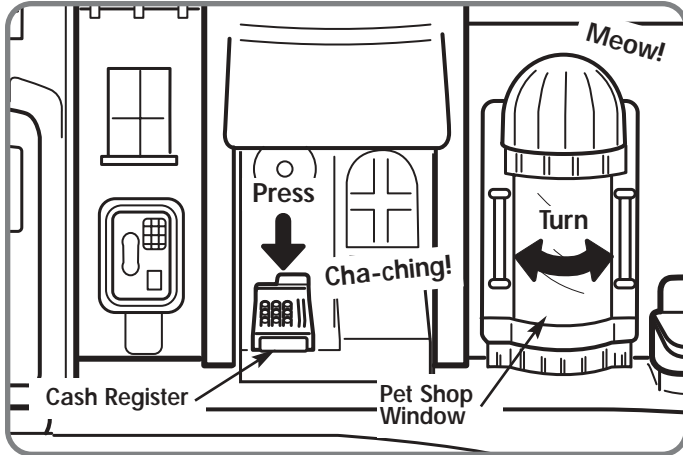
- Place a Little People® figure on one of the telephone pads and press down. The other telephone will ring!
- To answer the call, place a Little People® figure on the other telephone pad and press down.

Let's ride the teeter-totter!



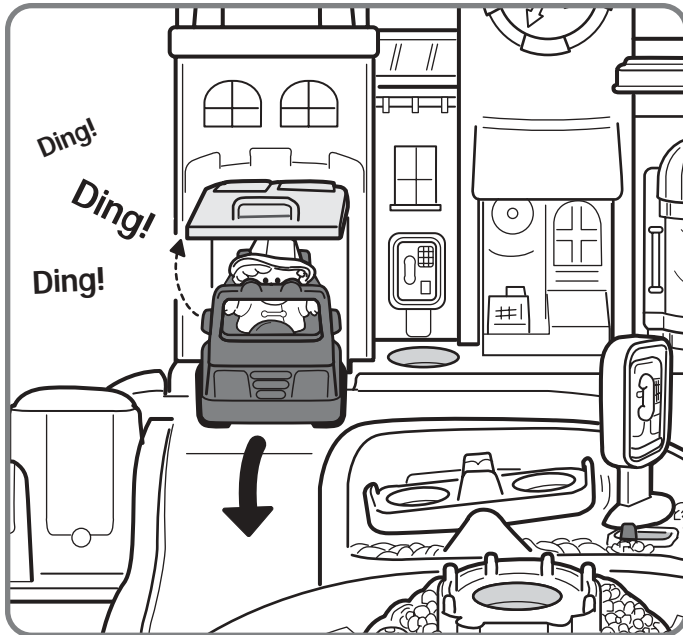
- Place two Little People® figures on the teeter-totter.
- Slide the teeter-totter button to make the teeter-totter go up and down.

Let's go shopping!



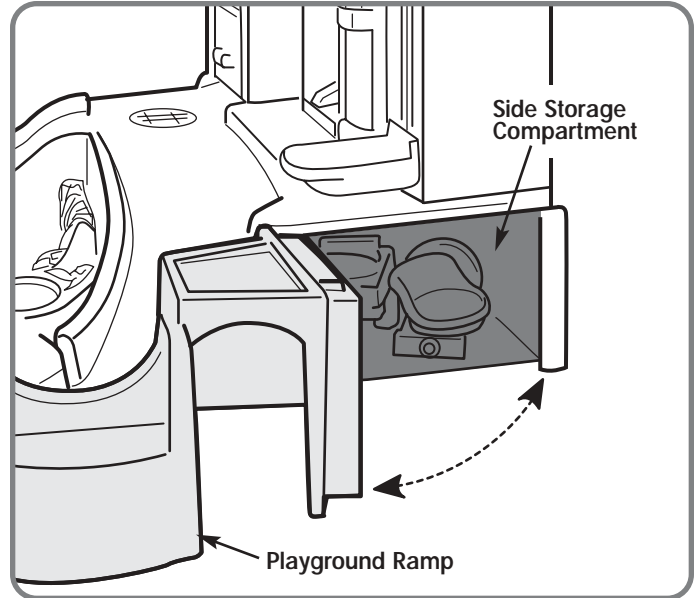
- Press the cash register to hear a fun sound.
- Turn the Pet Shop window to see and hear the animals!

Let's visit the Fire Station!

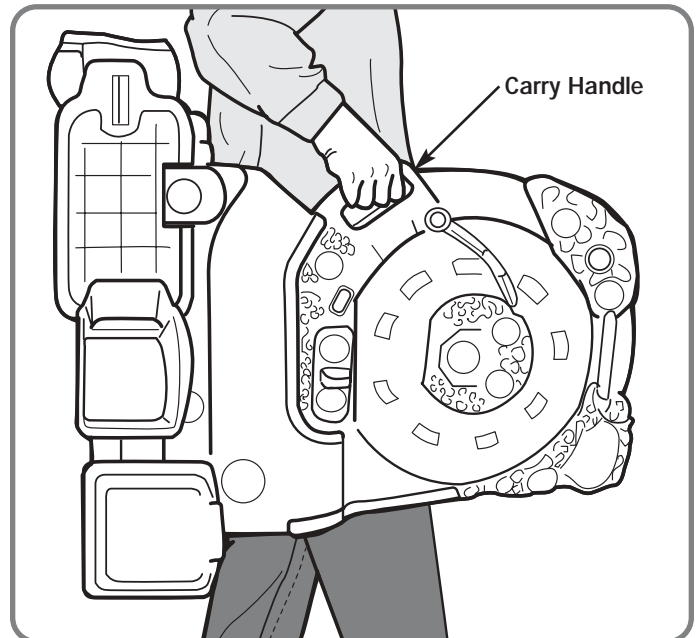


- Open the Fire Station door to send the fire truck down the ramp and on to the spinning roadway.
- Alarm and siren sounds send Little People® to the rescue!

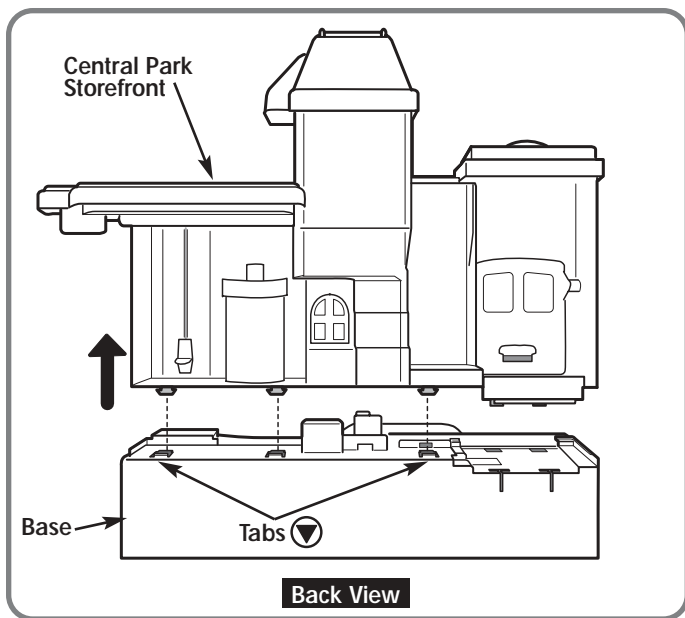
Time to clean up!



- When playtime is over, all of the pieces can be stored inside the side storage compartment. Simply pull the playground ramp open and place all of the accessory pieces inside the side storage compartment.
- Close the playground ramp.



- Use the carry handle for take-along fun!



To disassemble the Central Park Storefront from the base:

- Press the tabs ▼ on the base.
- Slide the Central Park Storefront toward you and lift to remove.

Care

- To clean, wipe the surface of this toy with a damp cloth. Do not immerse this toy.
- This toy has no consumer serviceable parts. Please do not take this toy apart.

Note

The phrases and sound effects shown in bold type in the illustrations are random responses by this toy. This toy may respond differently than shown.

FCC Statement (United States Only)

Note: This equipment has been tested and found to comply with the limits for a Class B digital device, pursuant to Part 15 of the FCC Rules. These limits are designed to provide reasonable protection against harmful interference in a residential installation. This equipment generates, uses and can radiate radio frequency energy and, if not installed and used in accordance with the instructions, may cause harmful interference to radio communications. However, there is no guarantee that interference will not occur in a particular installation. If this equipment does cause harmful interference to radio or television reception, which can be determined by turning the equipment off and on, the user is encouraged to try to correct the interference by one or more of the following measures:

- Reorient or relocate the receiving antenna.
- Increase the separation between the equipment and receiver.
- Consult the dealer or an experienced radio/TV technician for help.

CAUTION: Changes or modifications not expressly approved by the manufacturer responsible for compliance could void the user's authority to operate the equipment.

Consumer Information

Questions? We'd like to hear from you!

Call Fisher-Price® Consumer Relations, toll-free at **1-800-432-KIDS**, 8 AM - 6 PM EST Monday through Friday. Hearing-impaired consumers using TTY/TDD equipment, please call 1-800-382-7470. Or, write to:

Fisher-Price® Consumer Relations
636 Girard Avenue
East Aurora, New York 14052

For other countries, outside the United States:

Canada: Call **1-800-567-7724**, or write to: Mattel Canada Inc., 6155 Freemont Blvd., Mississauga, Ontario L5R 3W2.

Great Britain: telephone 01628 500303.

Australia: Mattel Australia Pty. Ltd., 658 Church Street, Locked Bag #870, Richmond, Victoria 3121 Australia. Consumer Advisory Service 1300 135 312.

New Zealand: 16-18 William Pickering Drive, Albany 1331, Auckland.